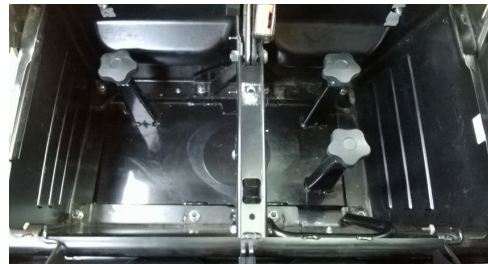
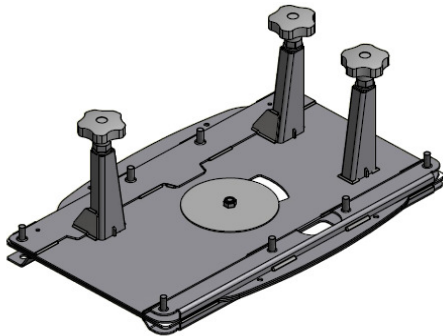


VW T5 Double Swivel (FCS47)

This swivel is for the passenger side of a VW T5 Van and allows the standard double bench seat to be rotated 180 degrees so that it can become part of the living area of the camper. It operates using a slip plate to rotate and swivel and has been successfully pull tested to comply with 76/115/EEC regulations. It locks into place in either forward facing or rear facing position by using three threaded locking bolts that are easily accessed by lifting up the seat. The swivel bolts to the standard plinth under the seat in the van and has pre drilled holes to allow a standard VW T5 double seat to be fitted to it.

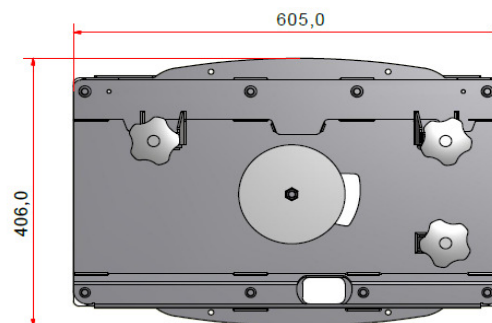
Note: The handbrake requires lowering to accommodate the swivel and our handbrake lowering bracket FCM75 is ideal for this.



In vehicle under seat lid view

Key Features:

- **Practical** - it allows you to the original bench seat to be kept and therefore the carrying of two passengers in the front.
- **Easy Fitting** – no need to trim existing bolts in van floor this swivel will clear these.
- **Storage** – the bolts are mounted on stalks to allow good storage under the seat.
- **Ergonomic** – the compact design fits neatly under the existing seat unit with no protrusions to snag limbs or clothes.
- **Simple** – aasy to operate mechanism: undo release bolts, swivel round and use the good visual alignment to refit bolts.
- **Weight Saving** – it is lighter than other swivels available on the market.
- **Secure** – solid mild steel construction with attractive, durable powder-coated finish.



The overall dimensions are: 406 x 605 x 229 excluding bolts.

We also have a video on our website demonstrating the double swivel plate in use.

If you have any questions about this product, or to check availability or place an order please contact us on 01934 751242 or email office@frocesterengineering.co.uk