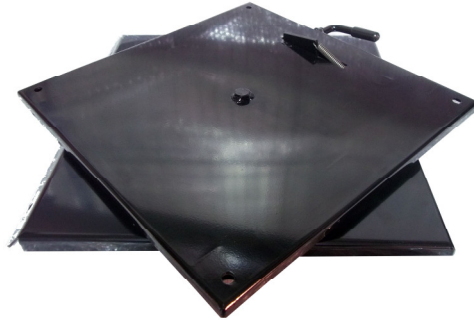


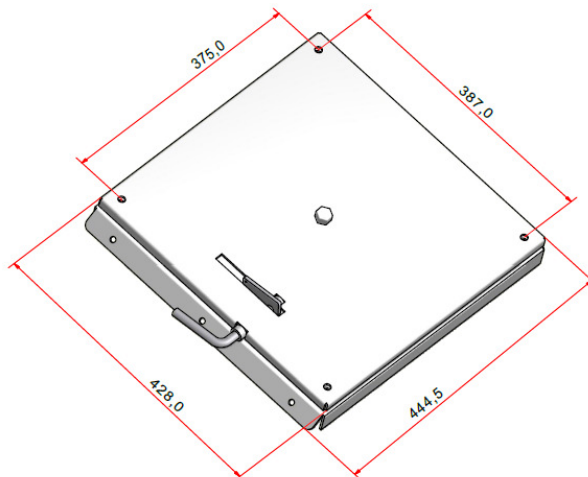
At Frocester Engineering we manufacture various swivels and swivel boxes for the motorhome conversion industry. We hold many in stock and can offer discounts depending on the quantities required.

VW T4



FCS1- T4 Swivel: This is a swivel for a T4 Van, it operates on a ball bearing system to allow the rotation of the swivel. This sits on the standard base/plinth between the seat. It has pre drilled holes for the fitment of standard VW Seats. The swivel will fit all T4 models from 1996 onwards.

Powdercoated Gloss Black to Finish.



Its overall dimensions are: 432 x 421 x 55- excluding Handle

We are a UK based company and manufacture all swivels in house, the quality of our swivels is very high and comes recommended from all our customers. We are based in Somerset we are able to dispatch swivels within the UK by various means depending on the quantities required.

We are happy to help customers develop swivels to suit their requirements so that we can go into production on a regular basis. We are currently looking into obtaining certification for all of our T4 range.

If you have any questions on any of our swivel products we are more than happy to help. Please contact us on 01934 751242 or 01934 751243(fax).