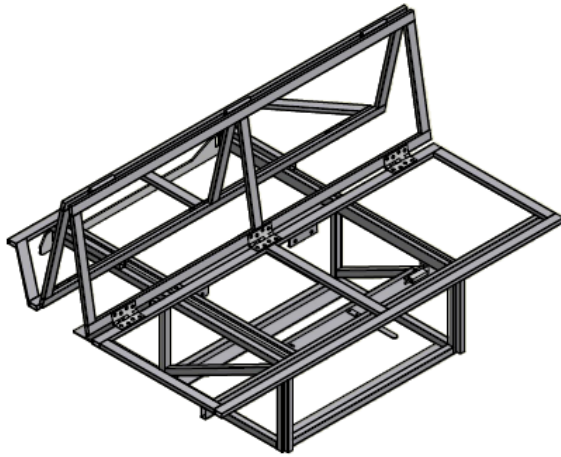
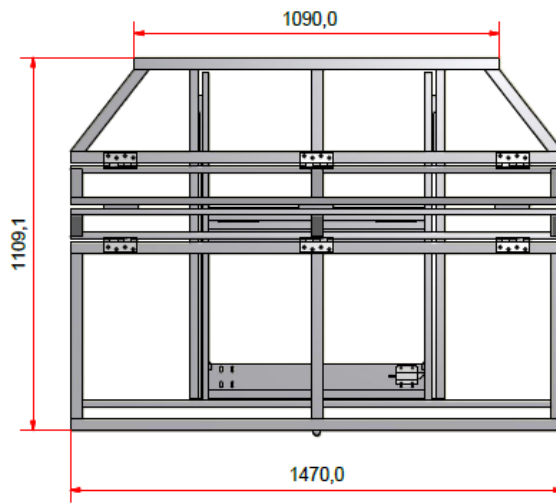


FCB85- Full Width Eco Bed



Plan View (seat config)



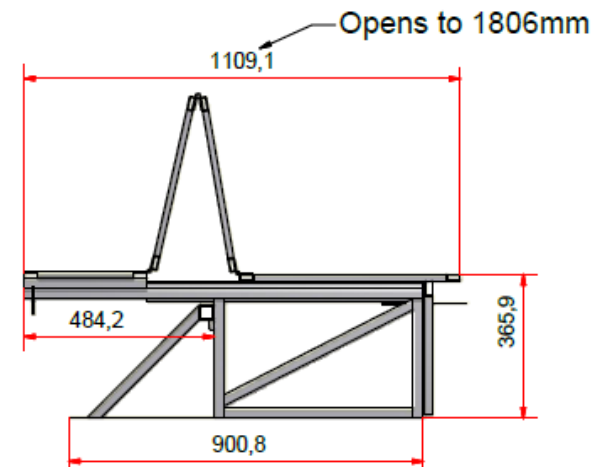
This is our most popular "rock and roll" type seat/bed which is ideal for small conversions. It has the following features:

- Two seat belt mounting points suitable for lap belts.
- Easy to operate and slides using a pair of robust vertically mounted sliding runners.
- Twin locking mechanism when in seat configuration.
- Finished in a tough, durable polyester powdercoat.
- Suitable for vehicles such as the VW T4, T5, Mercedes Vito and Vauxhall Vivaro.

Also available in a 3/4 width version (model number FCB44).

an order please call 01934 751242 or email info@frocesterengineering.co.uk

Side View (seat config)



Front View (seat config)

